

# OPERATING & SAFETY GUIDE

## ROTATING BRUSH WASHER

### GENERAL SAFETY

Contact Event Hire for information and advice on the suitability and safety of this type of equipment. There is a risk of injury if you do not follow the instructions printed in this guide.

This equipment should only be used by a competent adult who has read and understood these instructions. Anyone with a temporary or permanent disability should seek expert advice before using the equipment.

Keep all children, animals and bystanders away from the work area. Ensure the floor of the work area is free from trip hazards and non-slip.

Never use the equipment if you are ill, tired or under the influence of alcohol or drugs. Never operate electrical switches with wet hands. Always switch off and unplug the equipment from the power supply before moving or cleaning.

Check the equipment before use, if it shows signs of damage request a replacement.

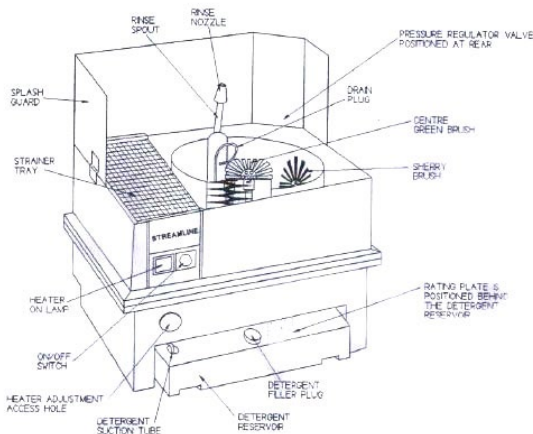
### ELECTRICAL SAFETY

The equipment is designed to plug directly into a standard 240volt, 13 amp socket. Make sure the equipment and power socket are switched off before plugging into the power supply.

If the equipment fails to operate or the power cable or plug becomes damaged, contact Event Hire. **Do not try to repair it yourself.**

Keep the power cable out of harm's way. Extension leads should be unwound fully, never run them through water, over sharp objects or where they may be a trip hazard.

Use a suitable RCD (Residual Current Operated Device) to reduce the risk of electric shock.



STREAMLINE COMPONENT SPECIFICATION

A48/1002-B

### SET UP

Important: Care must be taken on siting this machine so as not to obstruct the rinse facility. The machine should be installed on a level and stable surface. The optimum working height is when the machine top is at waist level, between 750 and 1000mm from the floor.

The machine can be sited behind a bar or in a separate wash up-area. **Under no circumstances should the machine be placed into a sink or bowl.**

Space should be available on the left hand side or on the bar top for dirty glasses, and the right side with drainage for clean glasses. Drip trays should be used for draining clean glassware.

Important:- Whatever arrangement is chosen, it should be clearly understood that glasses emerge wet so dripping between machine and drainage area must be contained or drained.

#### Electrical Connection:

Check that the supply voltage is within the range stamped on the data plate fitted to the side of the machine.

The machine requires a fused plug fitted with a 13amp fuse.

The spur outlet should be within 1 metre of the machine and accessible for machine isolation from the supply.

**WARNING:- This appliance MUST be earthed.**

#### Water Connection:

The machine is designed for connection to a cold main's waters supply, with a pressure of 2 – 10bar. Connection can also be made to a cold water storage tank provided this has a minimum head of 7metres.

The water supply should terminate with an easily accessible bib tap with 3/4 inch BSP male thread and should be positioned within 1 metre of the machine.

Connection is by a flexible 1 metre hose.

Pressure regulator valve setting and water heater flow adjustment – Read all instructions below before continuing.

To set the pressure regulator valve & water heater flow, proceed as follows:

- i) It is **IMPORTANT** to make sure that the adjustable RINSE NOZZLE is positioned in line, at the same angle as the RINSE TUBE, so as to achieve the correct water angle to the centre brush.
- ii) Place a pint glass over the RINSE NOZZLE
- iii) Turn on the water supply to the machine.
- iv) Connect the electrical plug to a 13 amp socket and press the ON/OFF SWITCH situated at the front of the machine.
- v) Remove the black insert from the lower grey housing situated at the front of the machine and, with a screwdriver, turn the HEATER ADJUSTING SCREW fully anti-clockwise.
- vi) Adjust the PRESSURE REGULATOR VALVE which is positioned at the rear of the machine by pulling the red locking ring to release and turning the black adjusting knob clockwise to fully open the valve.

### SET UP cont'd

- vii) Allow the machine to run until all air is expelled from the water system.
- viii) Slowly remove the pint glass, taking care not to allow the water to shoot over the front of the machine until the regulator in the next paragraph has been set.
- ix) Now set the PRESSURE REGULATOR VALVE by turning the black adjusting knob anti-clockwise until the water flow from the rinse spout reaches the centre of the GREEN BRUSH. Turn the machine on & off a few times to make the water flow repeats to the same position. Re-set the red locking ring.
- x) Valve & Heater setting is now complete and should be left in this position.
- xi) Ideal jet positioning is for the water flow to be set on to the CENTRE GREEN BRUSH to obtain the optimum rinse with no splashing.
- xii) The machine is now ready for use.

### Waste Connection:

Waste is by gravity from the machine outlet. An outlet hose of 25mm bore is provided for connection (using clip provided) to the drain tube in the rear base of the machine. This hose may be routed in any direction (in a lower level) and should be connected to a trapped waste pipe.

### Commissioning:

- i) Fill the DETERGENT RESERVOIR with the recommended detergent solution. Detergent is added at the DETERGENT FILLER PLUG using a funnel and without removing the detergent reservoir from the machine.
- ii) Switch the machine on and wait approximately five minutes until the detergent emerges into the wash bowl above the DRAIN PLUG.
- iii) Adjust the rinsing nozzle so that the jet of water first points up and then drops onto the centre GREEN BRUSH. (see diagram washing & rinsing)  
the water and electrical supplies
- ii) Ensure that:
  - The Detergent Reservoir contains detergent
  - The brushes are in their correct positions (Green Brush in the centre)
  - The drain plug is fitted firmly in the base of the tank.
  - The strainer tray is in position
- iii) Turn the machine on by pressing the ON/OFF SWITCH at the front of the machine. The POWER ON SWITCH & HEATER LAMP will illuminate, the brushes will turn and the wash tank will fill with water. The flow should arc over the centre brush. This will provide hand warm water temperature (approx. 35C) with sufficient flow to provide rinse for all glasses.
- iv) Once the wash tank has filled, water will overflow to waste. Glass washing can now commence.

### GLASS CLEANING PROCESS

#### Washing & Rinsing:

- i) Gather dirty glasses next to the machine.  
Caution - Carefully dispose of any cracked/broken glasses before washing
- ii) Take one glass at a time, discard the dregs, lemon peel and cocktail sticks into the strainer tray.
- iii) Wash the stem or base of the glass by lightly pressing it onto or around the central brush. See figures 1,2 & 3.
- iv) Invert the glass and lightly plunge it over the central brush with two or three up & down movements. See figures 4 & 5.
- v) Small sherry and liquor glasses should be lightly plunged over the outer brush with the smaller brush head. See figure 5.
- vi) Rinse the outside of the glass by rotating the glass the glass in the flow of the rinse jet. See figures 4 & 6
- vii) Rinse the inside of the glass by inserting the glass over the rinsing spout. See figures 7,8 & 9
- viii) Stand each cleaned glass inverted on a drip tray for draining.

**Turn the machine OFF when not washing glasses.**

### CARE & CLEANING

#### Routine maintenance:

During Use – If the wash water becomes soiled or discoloured during use it should be discarded and replaced. Remove the DRAIN PLUG, when the washbowl is empty, replace the drain plug and press the ON/OFF SWITCH to refill the bowl.

Daily – At the end of each working day, add one SANITIZER TABLET to the wash water. Once dissolved, run the machine briefly to disperse. Switch off machine and leave to stand overnight. Turn off water & power supplies.

The following morning, as a precaution, put on protective rubber gloves, empty the wash bowl by removing the Drain Plug. Then remove the brushes and rinse thoroughly in running water, shaking to remove any loose particles.

Carefully remove any broken glass and debris from the washbowl and clean the washbowl with a brush. Then refit the brushes (Green Brush in the centre), replace the DRAIN PLUG, turn on the water and power supplies.

Check and refill the DETERGENT RESERVOIR necessary.

#### Storage:

When the machine is not to be used for periods of 24 hours or longer, it should be left switched off and empty.

**CAUTION:** Turn off water and power supplies at the end of each day. During machine cleaning wear protective rubber gloves to avoid skin irritation.

Renew damaged brushes or brush caps, they may expose sharp edges.

Switch machine off before manually cleaning.

**DO NOT use a cloth inside the washbowl.**

